

FLEX-CABLE/NCSI

WATER-COOLED CABLE ORDER FORM

MCM SIZE	CABLE TYPE	TERMINAL 1	TERMINAL 2	LENGTH IN INCHES	OPTIONS
<input style="width: 20px; height: 20px;" type="text"/> <input style="width: 20px; height: 20px;" type="text"/>	<input style="width: 20px; height: 20px;" type="text"/> <input style="width: 20px; height: 20px;" type="text"/>	<input style="width: 20px; height: 20px;" type="text"/> <input style="width: 20px; height: 20px;" type="text"/> <input style="width: 20px; height: 20px;" type="text"/> <input style="width: 20px; height: 20px;" type="text"/>	<input style="width: 20px; height: 20px;" type="text"/> <input style="width: 20px; height: 20px;" type="text"/> <input style="width: 20px; height: 20px;" type="text"/> <input style="width: 20px; height: 20px;" type="text"/>	<input style="width: 20px; height: 20px;" type="text"/> <input style="width: 20px; height: 20px;" type="text"/> <input style="width: 20px; height: 20px;" type="text"/>	<input style="width: 20px; height: 20px;" type="text"/> <input style="width: 20px; height: 20px;" type="text"/>

MCM SIZE

- 35 = 350MCM
- 40 = 400MCM
- 50 = 500MCM
- 60 = 600MCM
- 75 = 750MCM
- 10 = 1000MCM

CABLE TYPE

- WS = COLOR-FLEX
- AP = AMERICAN POWER
- UR = EURO-FLEX
- CR = COMPLEX

TERMINAL 1

See terminal chart.

TERMINAL 2

See terminal chart.

LENGTH IN INCHES

PLEASE SPECIFY

OPTIONS

- S = SILVER PLATING
- E = EXO SYSTEM ON CABLE
- B = FLEX-CEL CONSTRUCTION
- SB = STAINLESS STEEL BANDS
- DB = DOUBLE BANDING

EXAMPLE:

35WSW1FW6-22-E

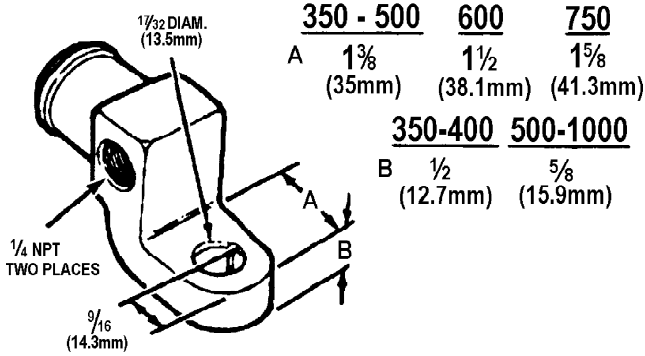
DESCRIPTION:

**22 in. 350MCM COLOR-FLEX WITH W1F & W6 TERMINALS,
CABLE WRAPPED WITH EXO.**

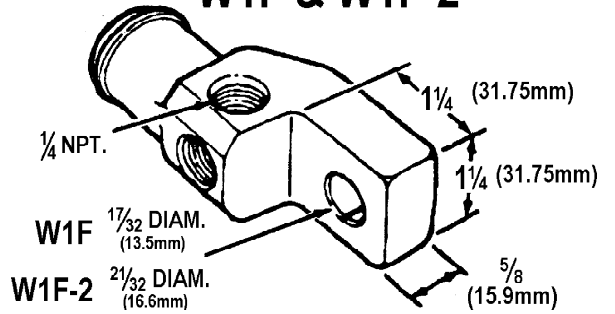
TERMINAL CHART

MOST COMMONLY USED WATER-COOLED CABLE TERMINALS

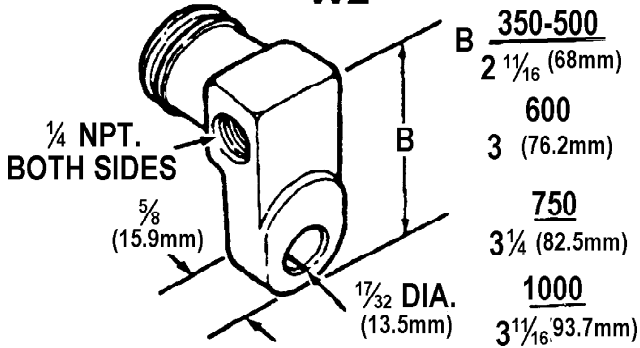
W1



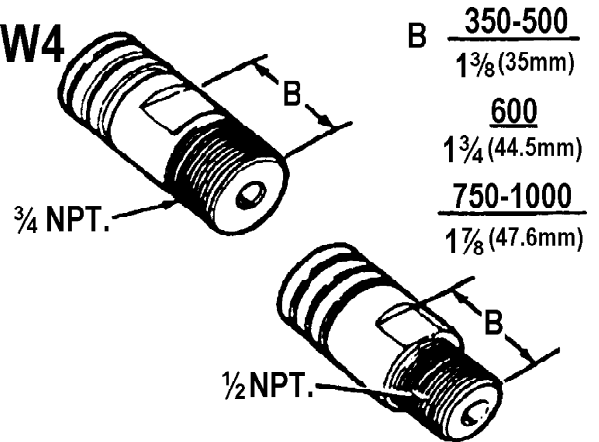
W1F & W1F-2



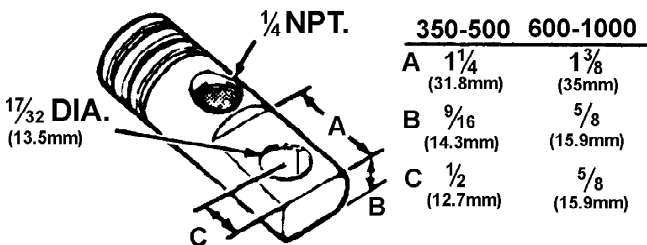
W2



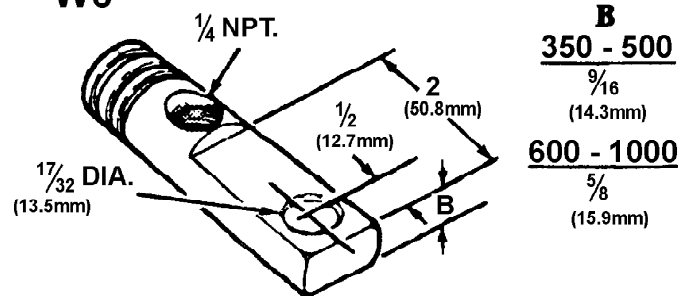
W4



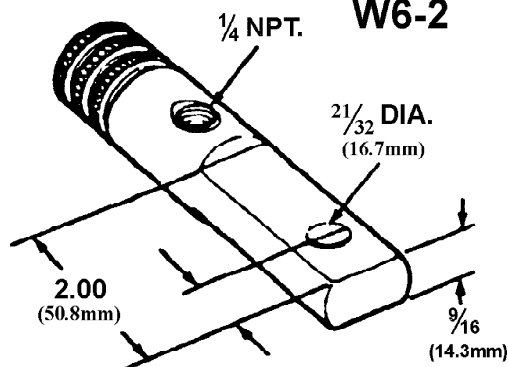
W5



W6



W6-2



TERMINAL CHART

MOST COMMONLY USED WATER-COOLED CABLE TERMINALS

