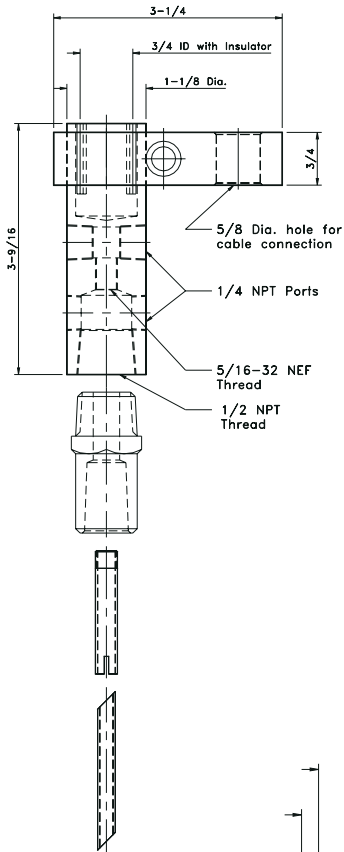
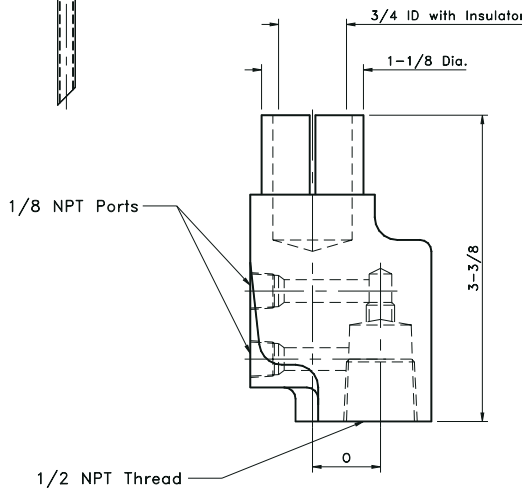
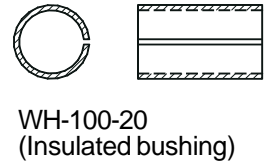
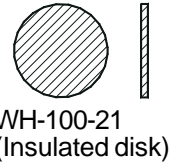
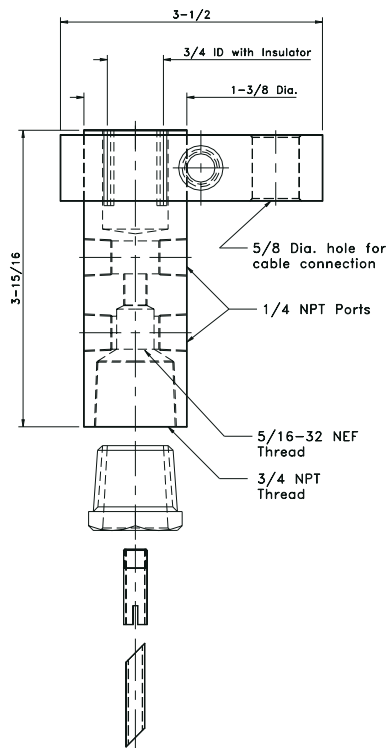


- \* Designed for air and hydraulic guns and cylinders on resistance spot welding equipment.
- \* **Individual supply of water and current** to each holder for better weld quality.
- \* **Silver plated** barrel and clamp for higher conductivity and corrosion resistance.
- \* Available for **4 RW, 5 RW, 6 RW, and 7 RW** taper electrodes.
- \* When ordering, specify assembly size as shown below.
- \* **To complete your set-up**, order hose barbs, adapters, stationary water tubes and sliding tubes to suit your specific requirements.
- \* **Replacement parts may be ordered individually**

**T-101**  
**Barrel and Clamp Assembly**  
 For 4 RW and 5 RW Electrodes



**T-102**  
**Barrel and Clamp Assembly**  
 For 6 RW or 7 RW Electrodes



### OFFSET HOLDERS

Part No.	Offset
	O
T-101-.50	1/2"
T-101-.75	3/4"
T-101-1.0	1"

### OPTIONS

- \* Additional offsets
- \* #6 & #7 RW Tapers
- \* 3/4 NPT water connections